



Touchscreen display Safety & Recommendations

[English](#)

[Deutsch](#)

[Nederlands](#)

[Français](#)

[Español](#)

TABLE OF CONTENTS

01 IMPORTANT INFORMATION	
1.1 USE	3
1.2 EXEMPTIONS	4
02 SAFETY INSTRUCTIONS	
2.1 SAFETY PRECAUTIONS	4
2.2 MOVING AND CARRYING NOTICE	5
2.3 INSTALLATION	5
2.4 WALLMOUNT SAFETY NOTICE	6
2.5 RECOMMENDED USE	7
2.6 CLEANING	8
03 WARRANTY DETAILS	
3.1 STANDARD WARRANTY A	9
3.2 STANDARD WARRANTY B	9
3.3 STANDARD WARRNATY C	9

IMPORTANT INFORMATION

1. IMPORTANT INFORMATION



WARNING:

TO PREVENT FIRE OR SHOCK HAZARDS, DO NOT EXPOSE THIS UNIT TO RAIN OR MOISTURE. ALSO, DO NOT USE THIS UNIT'S POLARIZED PLUG WITH AN EXTENSION CORD RECEPTACLE OR OTHER OUTLETS UNLESS THE PRONGS CAN BE FULLY INSERTED. REFRAIN FROM OPENING THE E-SCREENS HOUSING AS THERE ARE HIGH VOLTAGE COMPONENTS INSIDE.



CAUTION:

TO REDUCE THE RISK OF ELECTRIC SHOCK, MAKE SURE POWER CORD IS UNPLUGGED FROM WALL SOCKET. TO FULLY DISENGAGE THE POWER TO THE UNIT, PLEASE DISCONNECT THE POWER CORD FROM THE AC OUTLET. DO NOT REMOVE COVER (OR BACK). NO USER SERVICEABLE PARTS INSIDE. REFER SERVICING TO QUALIFIED SERVICE.



WARNING:

FOR CONTINUED SAFETY, DEVICES WITH CLASS I CONSTRUCTION SHALL BE CONNECTED TO A MAIN SOCKET OUTLET WITH A PROTECTIVE EARTHING CONNECTION.



WARNING:

THIS IS A CLASS A PRODUCT MEANT TO BE USED IN PROFESSIONAL ENVIRONMENTS. - THIS PRODUCT MUST NOT BE USED IN RESIDENTIAL AREAS.

1.1. USE

- Transport the product upright with proper packaging. Avoid placing the product face up or down. Handle with care!
- Do not send a static (non-moving) image to the e-screen, it may cause image 'burn-in' or image retention.
- "Burn in" and/or image retention is not covered under warranty.
- Make sure to change the image on the e-screen periodically. It is recommended to turn off the e-screen for at least 6 hours after 16 hours of usage in a 24-hour period to help avoid image retention.

SAFETY INSTRUCTIONS

1.2. EXEMPTIONS

- This product isn't warranted for any damage caused by natural disaster (such as earthquake, thunder, etc.), fire, acts by third parties, accidents, owner's intentional misuse and fault, or use in other improper conditions.
- This product isn't warranted for incidental damages (such as profit loss or interruption in business, modification or erasure of record data, etc.) caused by use or inability to use of this product.
- This product isn't warranted for any damage caused by inappropriate operation, or from not following the user manual.
- This product isn't warranted for any damage caused by misuse or malfunction through simultaneous use of this product and the connected equipment or software.
- This product isn't warranted for any damage caused by neglect of the installation instructions.
- This product isn't warranted for any damage caused by improper installation.
- This product isn't warranted for any damage caused by disassembly, modification or repair by non-authorized service centers or people.

2. SAFETY INSTRUCTIONS

Before using this e-screen, please read this user manual thoroughly to help protect against property damage and to ensure your personal safety and the safety of others.

- Read and follow all instructions and safety-warnings found in this manual.
- For installation or adjustment, please follow the instructions in this manual and refer all servicing to qualified service personnel.

2.1 SAFETY PRECAUTIONS

If smoke or a peculiar smell comes from the e-Screen, remove the power plug from the outlet immediately. Failure to do so may result in fire or electrical shock.

Contact your dealer for inspection.

If the e-Screen has been turned on but there is no picture, remove the power plug from the outlet immediately. Failure to do so may result in fire or electrical shock.

Contact your dealer for inspection.

If water is spilled or objects are dropped inside the e-Screen, remove the power plug from the outlet immediately. Failure to do so may result in fire or electrical shock.

Contact your dealer for inspection.

If the e-Screen is dropped or the e-screen's housing is damaged, remove the power plug from the outlet immediately. Failure to do so may result in fire or electrical shock.

Contact your dealer for inspection.

If the power cord or plug is damaged or becomes hot, turn off the main power switch of the e-Screen, make sure the power plug has cooled down and remove the power plug from the outlet.

If the e-Screen is still used in this condition, it may cause fire or electrical shock. Contact your dealer for replacement.

SAFETY INSTRUCTIONS

2.2 MOVING AND CARRYING NOTICE

Moving the product:

Moving the product requires at least four people. Attempting to move the product with fewer people may result in damage to the display or in serious injury of the people handling the screen. When moving a display in its shipping carton, lift the carton using the white handles.



Carrying the product:

This product is heavy; please follow proper lifting techniques, as pictured below. Failure to do so may cause injury.



2.3 INSTALLATION

Don't install in a high-temperature environment.

If the e-screen is used in high-temperatures or in direct sunlight, it may cause the housing of the product or other parts to become distorted or damaged, resulting in overheating or electrical shock.

Don't install in a high-humidity environment.

This may cause overheating or electrical shock.

Don't install near any heat sources such as radiators, heat registers, stoves, or other apparatus that produce heat.

This may cause fire or electrical shock.

Don't overload outlets or cables beyond electrical capacity. Don't use extension cords as it may cause fire or electrical shock.

Don't insert the power plug into an outlet other than 100~240V AC.

This may cause fire or electrical shock.

- Don't use a damaged power plug or worn outlet.
- Don't insert an improper power plug it may cause fire or electric shock.

Don't place the e-screen on an unstable shelf or surface. The e-screen may fall, causing injury. Please install on a horizontal, stable, level surface.

Don't place objects on the e-screen.

- If the e-screen is covered or the vents are blocked, the display could overheat and cause a fire.
- If objects or liquids get inside the e-screen, this may cause fire or electrical shock.
- Do not put heavy objects on the e-screen as they may fall, causing injury.
- Please keep a 10 cm minimum distance between e-screen, wall and/or other objects to ensure sufficient ventilation.

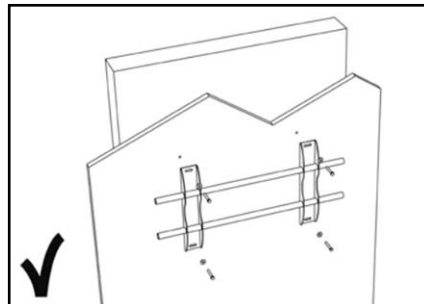
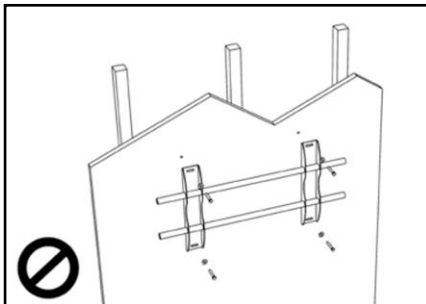
SAFETY INSTRUCTIONS

Don't move the e-screen when it is connected to the power cord and AV cables.

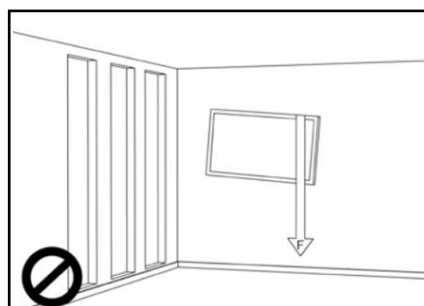
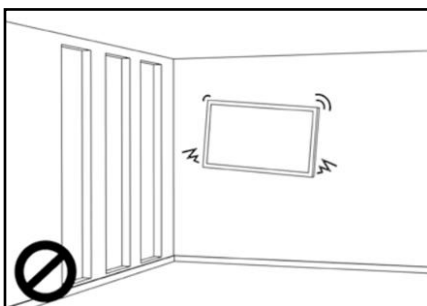
- When moving the e-screen, make sure to remove all cables first.
- When unpacking or carrying the e-screen, at least 4 people are needed. Make sure the e-screen is carried upright.
- Transport the e-screen upright. Avoid placing the e-screen face up or down.
- Handle the e-screen gently. Do not drop.

2.4 WALLMOUNT SAFETY NOTICE

1. Please make sure that the bracket is mounted on a solid surface.

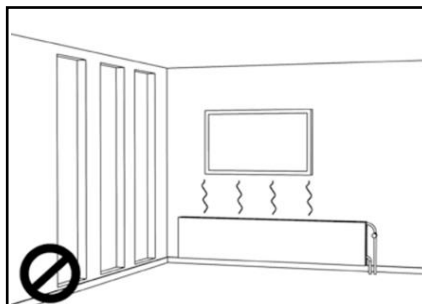
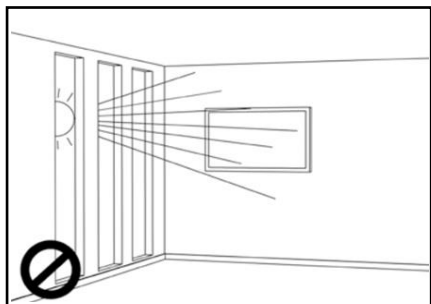


2. After mounting the screen, do not pull, push or shake the screen.

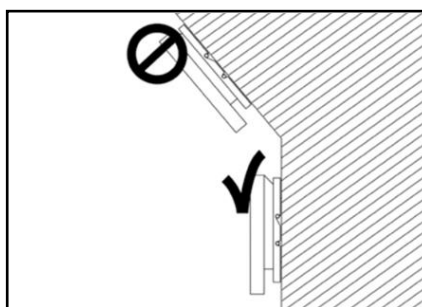
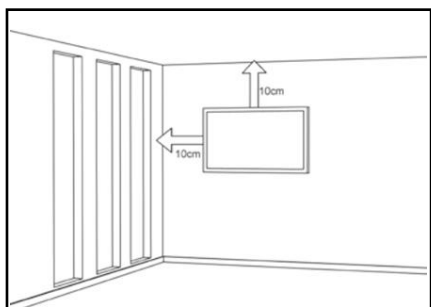


SAFETY INSTRUCTIONS

1. Do not install screens in direct sunlight, humid conditions, or high temperatures.



4.



2.5 RECOMMENDED USE

If you encounter a problem during installation, please contact your supplier for assistance. Don't repair or open the e-screen by yourself. Failure to do so may result in fire or electrical shock.

Contact your dealer for inspection.

Protect and correctly use the power cord/plug.

- Don't pinch the power cord/plug between hard surfaces.
- Don't step on the power cord/plug.
- Before inserting the power plug into the wall outlet, connect the power cord to the display.
- Using an e-screen with a damaged or non-original power cord can damage the screen, cause fires or electrical shocks.

Using extension cords (not recommended)

If an extension cord must be used, ensure the voltage rating exceeds the max power consumption of the display. If the voltage rating is less than the display, it will cause the extension cord to overheat.

Do not operate the screen during thunder or lightning.

Remove the powerplug from the power outlet.

SAFETY INSTRUCTIONS

Don't use any kind of liquid on the e-screen.

- If liquid is spilled on the e-screen, remove the power plug from the wall socket and ask qualified service personnel to check the product.
- If liquid gets on e-screens glass plate, clean it with a dry and soft cloth immediately.
- Don't use any chemicals on the e-screen.
- If metal or liquids get into the e-screen, it may cause a fire or an electrical shock.

Don't install or remove the power plug with wet hands. This may cause an electrical shock.

If the e-screen will not be used for a long period of time, unplug the display. Preventing to do so may cause premature wear of electrical components or fire.

Handle the e-screen with care, prevent glass breakage.

- If the glass of the e-screen is broken, liquids may escape. Please don't touch the liquid.
- If these liquids come into contact with skin or eyes, immediately wash it away with clean water and consult a medical professional.

Precautions with the remote-control batteries

- Please only use approved AAA type batteries.
- Please be sure to insert batteries by matching the + and -.
- Don't recharge, heat, disassemble, short or throw batteries into a fire.
- Don't mix a new battery with a used one.
- Don't mix different types of batteries together (only use the specified type).

2.6 CLEANING

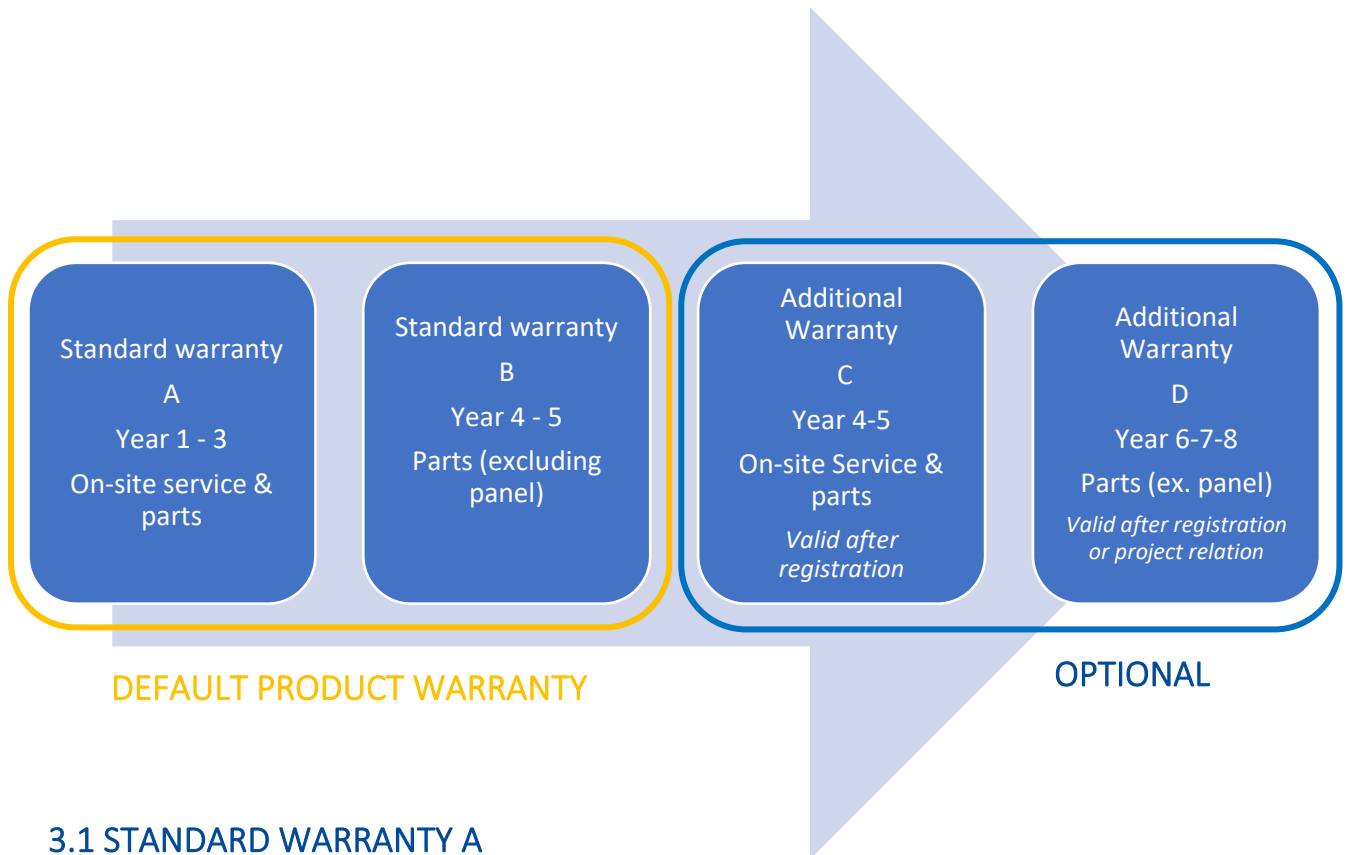
Remove the power plug from the power outlet before cleaning.

Failure to do so may result in electrical shock or damage.

Cleaning the surface of the e-screen

- When the surface of the e-screen becomes dirty, wipe the surface lightly with a soft clean cloth.
- If the surface requires additional cleaning, lightly moisten the cloth.
- Do not to let any kind of liquid enter the e-screen as it may cause electrical shock or damage.
- Do not clean the e-screen with alcohol, solvents or ammonia, as this could damage the e-screen.

WARRANTY DETAILS



3.1 STANDARD WARRANTY A

Legamaster guarantees 'on-site' repair of the product for a period of 3 years. When necessary and at the discretion of Legamaster International B.V., a defective unit can be replaced by a similar – functioning – unit in at least the same condition, whereas the remainder of the original warranty-period will be transferred to the replacement unit.

Replacement parts used in repairing a defective product are warranted to be free from defects and to remain so during the remainder of the original warranty period of the product. Replacement parts do not prolong the warranty period of the product.

3.2 STANDARD WARRANTY B

In year 4 and 5 of the life-time of the product (calculated from the date of purchase as mentioned on the invoice) Legamaster International B.V. offers an additional 2 year warranty period on parts and/or components, excluding the panel of the product. During this 3 year period, following conditions apply:

In year 4 and 5 Legamaster International B.V. guarantees the replacement of defective parts and / or components of the product, excluding the panel of the product. Legamaster B.V. will offer the end-user a replacement component for the defective component that is warranted to be free from defects and to remain so for the remainder of the warranty-period of the product. Replacement parts do not prolong the warranty period of the product.

During this warranty period, if needed, Legamaster International B.V. will assist end-user in repairing the defective unit, either on-site or when needed at our own service department in Lochem, Netherlands. The end-user will be charged – after consultation with the end-user – a service fee of which the amount is dependent on the labor time and travelling distance needed to perform the mentioned repair.

When necessary and at the discretion of Legamaster International B.V., a defective unit can be replaced by a similar – functioning – unit in at least the same condition, whereas the remainder of the original warranty-period will be transferred to the replacement unit.

3.3 ADDITIONAL WARRANTY

On applicable products sold in applicable markets Legamaster B.V. can offer an additional warranty option, as specified under 'Additional Warranty C' and 'Additional Warranty D'.

Please head over to legamaster.com/service/warranty for more information about our warranty details.



EVOLVE 2 Touchscreen display Product Content & Operation

[English](#)

[Deutsch](#)

[Nederlands](#)

[Français](#)

[Español](#)

TABLE OF CONTENTS

01 PACKAGE CONTENT	12
1.1 UNPACKING	12
1.2 INCLUDED ACCESORIES	12
02 INSTALLATION	12
2.1 ENVIROMENT CONDITIONS	12
2.2 GENERAL OVERVIEW OF THE SCREEN	13
2.3 INPUT / OUTPUT CONNECTOR INFORMATION	14
2.4 REMOTE CONTROL	14
2.4.1 CHANGING THE REMOTE-CONTROL BATTERY	15
03 TURNING THE SCREEN ON AND OFF	15
3.1 OPERATING THE SCREEN FOR THE FIRST TIME	16
3.2 ENABLE LEGAMASTER LAUNCHER	17
3.3 QUICK LAUNCH MENU	17
3.4 SETTINGS MENU	18
3.5 UPDATING THE SCREEN	22
3.6 OPERATING THE SCREEN BUTTONS	22
04 TROUBLESHOOTING	23
05 COMPLIANCE	23

PACKAGE CONTENT / INSTALLATION

1. PACKAGE CONTENT

1.1. UNPACKING

- The Touch Monitor is packed using cushions to protect the product during shipping.
- Before unpacking, prepare a stable, level, and clean surface near a wall outlet.
- Step 1: Place the box in an up-right stable position.
- Step 2: Remove the white handles and cut the banding
- Step 3: Smoothly lift the upper part of the box, this will reveal the touch monitor box content
- Step 4: Remove the top cushion and take the accessory bag out.
- Step 5: Extend the bag up and carefully cut the upper layer to unseal the touch monitor bag
- Step 6: Prepare your screen for installation, and then remove it from the box by lifting it.

1.2. INCLUDED ACCESORIES.

ITEMS
Power Cord 1.8m
Remote Control
Passive ECO Stylus x2

2. INSTALLATION

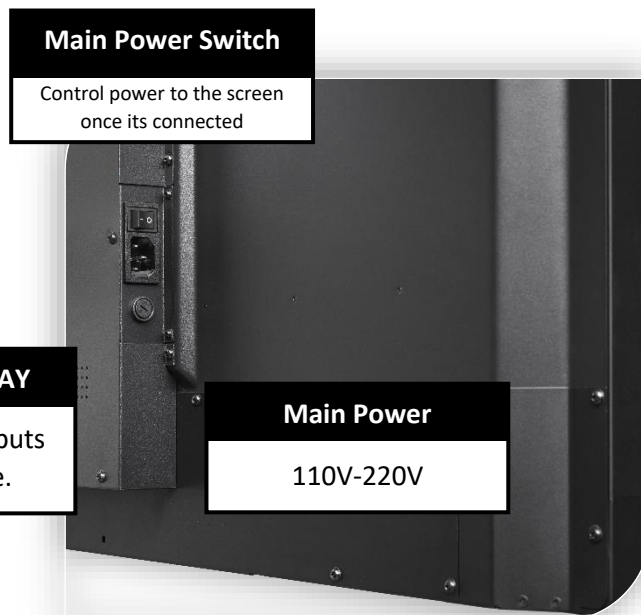
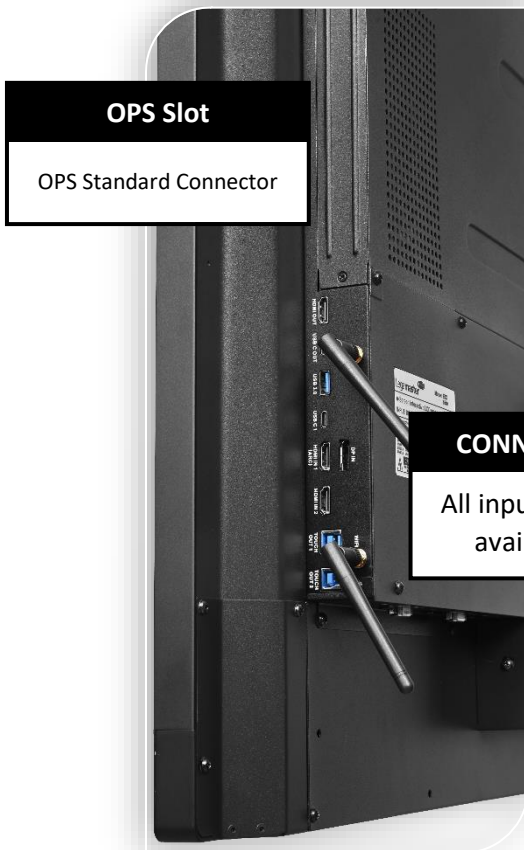
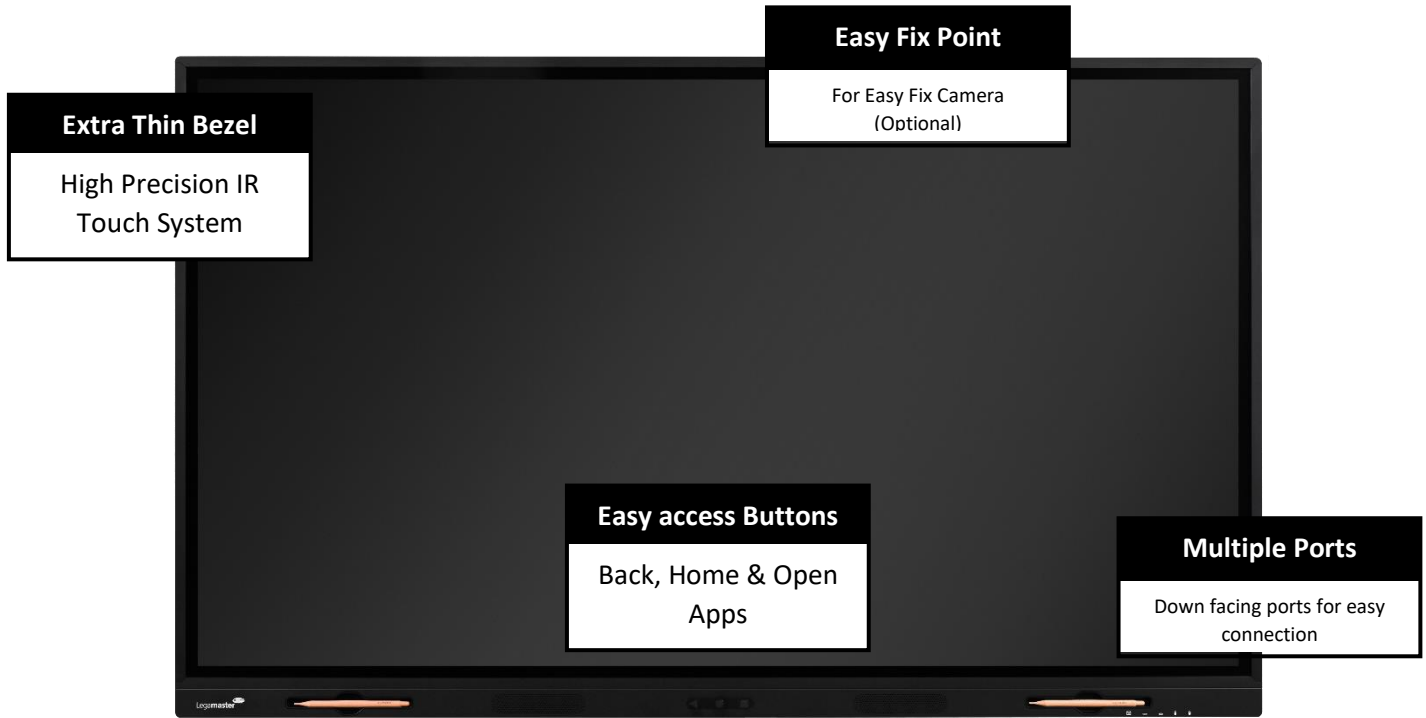
2.1 ENVIROMENT CONDITIONS

When operating the screen, ambient room conditions should not exceed the following:

- Operating temperature: -5°C to 45°C (41°F to 104°F)
- Humidity: less than 90% RH (Max)

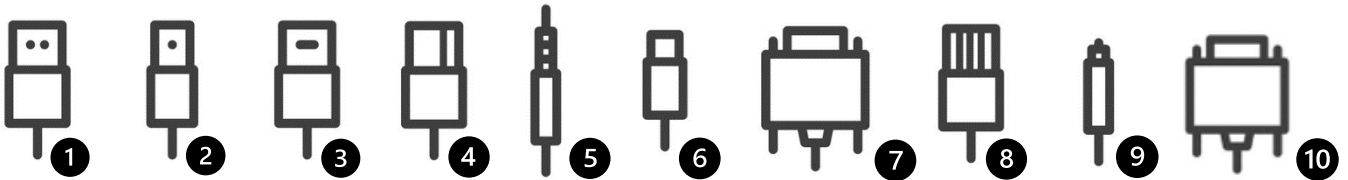
OVERVIEW

2.2 GENERAL OVERVIEW OF THE SCREEN



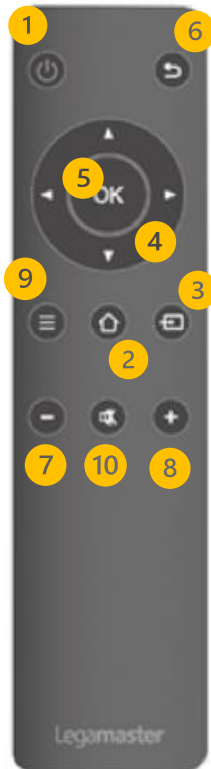
OVERVIEW

2.3 INPUT / OUTPUT CONNECTOR INFORMATION



- 1 USB-A 2.0 (x1) / USB-A 3.0 (x5)
- 2 USB-B 3.0 (x3) (Touch)
- 3 HDMI 2.0 (x3) / HDMI 2.1 Out (x1)
- 4 DP 1.2 (x1)
- 5 Minijack 3,5 Stereo (x1)
- 6 USB-C (x2) + USB-C Out (x1)
- 7 RS-232 (Serial)
- 8 RJ-45 (x1 IN) / RJ-45 (x1 Out)
- 9 SPDIF (Optical Audio)
- 10 VGA (x1)

2.4 REMOTE CONTROL



- 1 Turn the display ON and OFF.
- 2 Home: Head directly to the main home page
- 3 Source Selection Displays the input selection screen to select from
- 4 Navigation Buttons Easy navigation wheel
- 5 Select / Confirm: Confirm your on-screen selection
- 6 Back / Return to previous MENU Returns to the previously selected on screen MENU.
- 7 Volume Down Lowers the audio volume.
- 8 Volume Up Raises the audio volume.
- 9 Settings MENU Direct access to the main settings MENU
- 10 Mute mutes the scree's audio

OVERVIEW / OPERATING THE SCREEN

2.4.1 CHANGING THE REMOTE-CONTROL BATTERY

1. Remove the battery cover:

On the backside of the remote-control, slide down the battery cover.

2. Insert batteries:

Use two AAA batteries and insert them according to the plus and minus indicators in the remote control.

3. Close the battery cover by sliding it back into place.

I. Discard batteries according to the local waste reduction and recovery regulations.

II. Do not keep used, empty batteries in the remote control. They can leak and result in damages to the remote control.

III. Only use batteries according to the instructions and regulations found in this manual and to the instructions and regulations set forth by the batterie's manufacturer.

About the remote control

- Do not drop, shake, or bump.
- Avoid moist conditions, liquids, high-temperatures and/or exposure to direct sunlight.
- Don't dismantle.

3. TURNING THE DISPLAY ON AND OFF

Please make sure the display is connected to an AC power-socket using the supplied power cable.

Set the AC-switch to "I". The Touch monitor will start up, if not.

To switch the display on, push the center button "O" on the screen once, or push the power-button on the remote control.

To switch the monitor off, press the center button "O" on the screen, open the quick launch menu and select the "power off" option or push the power button on the remote control. The display will switch to stand-by mode.

To turn off power completely, turn the AC switch to "O" or disconnect the AC power cord from the power outlet.

OPERATING THE SCREEN

3.1 OPERATING THE SCREEN FOR THE FIRST TIME

When first starting up your screen you will be prompted to set-up some basic options:

Step 1: Language selection

From this menu you will be able to select one of the included languages on the device, this includes: English, Azerbaycan, Cestina, Dansk, Deutsch, Español, Francais, Hrvatski, Italiano, Magyar, Nederlands, Polski, Romana, Suomi and Svenka.

Step 2: Wi-Fi Settings (Can be skipped)

From this menu you will be able to connect to a local Wi-Fi

Step 3: Database Copy (Can be skipped)

From this menu you will be able to copy information from your Google account into the device and pre-configure settings.

Step 4: Account settings (Can be skipped)

From this menu you will be able to log in to your existing Google account and accept the terms of service for the Google integration to your device + account.

After entering your log in information, you will be required to accept the Google terms of service. And select the needed services you would like to have such as Using and backing up your information, using your location and allow the scanning of your network for local devices when Bluetooth is off. All of these settings are optional and can be disabled.

Step 5: Create your Security PIN (Can be skipped)

A simple prompt will ask you to input and verify your selected pin code, this pin code will be required of you when turning the device on and wishing to access the default user in the screen.

Step 5: Hey Google Assistance

From this menu you will be able to enable the Google assistance "Hey Google"

Step 6: Hey Google Assistance with a locked screen

From this menu you will be able to enable the use of the Google assistance even when the screen is locked.

Step 7: Billing information

From this menu you will be able to enter your Billing information in case you wish to use it in the store

Step 8: Configuration Review

A Small and simple overview of your configuration before starting to use your device.

After your device has been set up you will also be able to review your configuration one last time by swiping from the top of your screen down and selecting the "Lets Finish the set-up option"

OPERATING THE SCREEN

3.2 ENABLE LEGAMASTER LAUNCHER

When first starting your screen you will have a default skin for the device, if you wish to unlock the full potential and set of tool you can head over to the device settings and from the “advance” menu select the Legamaster Launcher.

3.3 QUICK LAUNCH MENU

On the right and left edges of your screen you will find a small arrow that will provide direct access to the quick Launch menu, this menu will let you get to your desired tools much faster and intuitively, this menu is also customizable so you can add your own apps selection to it.

- Quick Start: Click to have a simple overview of the screen’s accessibility options.
- User Manual: Will display the screen’s manual

- Stopwatch: Opens a clock-screen with timer, stopwatch, and alarm functionality
- Screen Recording: Activates a screen recording tool.
- Screenshot: Opens a screenshot tool to select an area on your screen to capture an image of.
- Calendar: opens up a calendar

- Power-buttons:
- Shutdown: shuts down the screen and when applicable the OPS computer.
 - Sleep-mode induces a mode in which screen and audio are switched off, but from which the screen can recover in a snap by touching the screen with 2 fingers, or by pushing the Central control button
 - OPS-power switches the OPS computer on or off.



- Input: Click to select the desired input / source
- Settings: Opens the settings-menu
- Annotation tool
- Home: Opens the Android Launcher

- Brightness-slider
- Volume-slider

- Action-buttons:
- < Back / previous screen
 - O Home (Legamaster launcher home-screen)
 - Overview: Shows all open apps and allows users to quickly switch between them, or close all open apps at once.

OPERATING THE SCREEN

3.4 SETTINGS MENU

MAIN SETTINGS		LEVEL1	LEVEL 2	VALUES	EXPLANATION	
NETWORK & CONNECTED DEVICES	Ethernet	MAC address			shows the MAC address for the wired connection	
		IP address			shows the IP address for the wired connection	
		Ethernet		ON/OFF	Toggle ethernet-connection on / off for the screen itself. Disabling this does not disable ethernet for the OPS	
	Wi-Fi	MAC address			shows the MAC address for the Wi-Fi connection	
		IP address			shows the IP address for the Wi-Fi connection	
		Wi-Fi		ON/OFF	Toggle Wi-Fi on and off	
	Hotspot	Hotspot		ON/OFF	Toggle the hotspot-functionality on / off	
		Setup Wi-Fi hotspot			Set-up the hotspot	
	Bluetooth	MAC address			show the MAC address for the bluetooth adapter	
		Bluetooth		ON/OFF	Toggle bluetooth on/ off, show / connect with available devices	
DEVICE	Picture	Picture mode		Standard	Select pre-set picture modes	
				Dynamic		
				Soft		
				User		Picture mode where settings can be adjusted manually in 'Advanced'
		Power mode		User	Choose a power-mode: User = manual brightness setting, Auto = Automatic brightness setting based on ambient light conditions, balanced = brightness 75, ECO = brightness 50, DCR = 100. Power consumption varies based on these settings.	
				Auto		
				Balanced		
				ECO Friendly		
				DCR		
		Color temperature		Standard	Select a color temperature mode	
				Cool		
				Warm		
		Eye protect		ON/OFF	Toggle Eye Protect mode on / off. When enabled, the brightness will be reduced when writing.	
		Anti blue light		ON/OFF	Toggle Anti blue light on / off. When enabled the amount of blue light will be reduced.	
		Backlight		0-100	Manually adjust the brightness. Using this setting will change the power mode setting to 'Manual'	
	Advanced		Contrast		0-100	In Picture mode 'User', use these settings to manually adjust the picture settings
			Brightness		0-100	
			Saturation		0-100	
			Sharpness		0-100	
			PC mode		PC / Video	Allows switching to Video mode, in which 'Overscan' can be used
		Display mode		16:9/P2P	Toggle picture aspect mode	
		MEMC		Off/Low/Middle/High	Change the MEMC level	
		Overscan		ON/OFF	toggle between overscan on and off.	
		HDR		ON/OFF	toggle between HDR on and off.	
		VGA auto adjust			toggle VGA auto adjust o / off when receiving a VGA signal	

OPERATING THE SCREEN

MAIN SETTINGS		LEVEL1	VALUES	EXPLANATION
DEVICE	Sound	Audio output	Speaker/SPDIF/ARC/Bluetooth	Choose the Audio output
		Sound mode	Standard/Music/Movie/Sports/User	Select a pre-set sound mode. 'User' allows manual sound settings
		SPDIF Mode	RAW/PCM	Toggle SP/DIF mode between RAW / PCM
		AVC	ON/OFF	toggle AVC on / off
		Sound Effect	ON/OFF	toggle sound effect on / off
		Volume	0-100	set volume
		Balance	0-100	set balance
		EQ 120Hz	0-100	Manually adjust settings when sound mode is set to 'User'
		EQ 500Hz	0-100	
		EQ 1.5KHz	0-100	
		EQ 5KHz	0-100	
		EQ 10KHz	0-100	

OPERATING THE SCREEN

MAIN SETTINGS		LEVEL1	LEVEL2	VALUES	EXPLANATION		
SYSTEM	Security	Change password			Change your password		
		Safe mode		ON/OFF	Safe mode password-protects the complete settings menu		
		App lock			Select individual apps that will be password-protected		
		App install/uninstall lock		ON/OFF	App (de)install lock disables (de)installation of apps		
		Touch lock		ON/OFF	Touch lock disables touch functionality		
		Keypad lock		ON/OFF	Keypad lock disables use of the Central Control Button		
		IR lock		ON/OFF	IR lock disables use of the remote control		
		Network lock		ON/OFF	Network lock disables ethernet, Wi-Fi and Bluetooth connections		
	Cast App		AirServer / E-Share	Lets the user choose between both casting apps			
	Manage apps	Installed apps			manage user-installed apps (FORCE STOP/UNINSTALL/CLEAR DATA)		
		All apps			manage all apps (FORCE STOP/DISABLE/CLEAR DATA)		
	Power	Power-on / shutdown timer	Shutdown timer			set the shutdown timer	
			Power-on timer			set the power-on timer	
		Power on settings	Power on mode		Direct		set power on mode to direct
					Standby		set power on mode to standby
					Memory		set power on mode to memory
				Power on source		Memory/Android/PC /HDMI1/HDMI2/HD MI3/DP/USB_C/VGA	Choose the source in which the screen powers-on
				Power on volume		Memory/User	Set the power-on volume. In 'User' users can select a power-on volume manually
				Volume setting		0-100	Set the power-on volume
				Boot OPS at power-on		ON/OFF	Choose whether the OPS boots automatically when the screen is power-on
		Wake on lan			ON/OFF	Enable / disable wake on Lan	
		Keep power and network to OPS			ON/OFF	Enable / Disable Power and network connections to the OPS even if the screen is OFF	
		Motion Detect	Motion Detect Mode		Off/Power Manager		Select the power Detect mode
			Motion Detection		Off/15/30/45/60 minutes		Dis- / enable the proximity sensor to put the screen in sleep mode when no motion is detected by the proximity sensor
		Shutdown timer			OFF/1/10/20/30/60/90/120/180 minutes		set a shutdown timer
	Auto shutdown			Off/1/3/5/10 minutes		Shuts down the screen when there is no signal	

OPERATING THE SCREEN

MAIN SETTINGS	LEVEL1	LEVEL2	VALUES	EXPLANATION			
OTHERS	More	Auto sense	OFF/Prompt/Direct	Select the auto sense mode. In auto sense, the screen will detect new active signals and switch to that source automatically (direct), or when confirmed (prompt). When a signal is switched off, autosense will automatically check for other active sources in the sequence OPS slot, HDMI 1, HDMI 2, HDMI 3, DisplayPort, USB C, VGA always ending in the Android launcher (when enabled)			
		Temperature protection	ON/OFF	With temperature protection, a user can set an alarm temperature in which the screen will shutdown automatically			
		Palm Rejection	ON/OFF	Enable / Disable Palm Rejection			
		Current temperature		0-100	shows the current temperature of the screen		
		Alam temperature		50-100	set the alam temperature value. When reached, the screen will automatically shutdown to prevent further temperature increase		
		HDMI	HDMI out		1080p 60Hz/2160p 30Hz/2160p 60Hz	set the HDMI out signal	
			HDMI EDID version		EDID 1.4/EDID 2.0	set the HDMI EDID version	
		Date & time	Automatic date & time		ON/OFF	Automatic date and time requires an active internet connection. Disabling this setting allows users to maually set the date & time	
			Date			Show or set the current date	
			Time			show or set the current time	
			Time zone			set the time zone	
			Use 24-hour format		ON/OFF	Choose between a 12 or a 24 hr time format	
		Languages			Deutsch/English/Francais/Nederlands/Spanish	Set the language	
		Keyboard & inputs	Current Keyboard			Shows the current keyboard / allows users to switch keyboards	
			Android Keyboard(AOSP)			Configure the default (AOSP) keyboard	
			Manage keyboards			Manage keyboards	
		Individuation	Fullscreen Gesture		ON/OFF	Enable/Disable Fullscreen Gestures	
			Show Menu at right		ON/OFF	Swatches the menu from the left as a default to the right.	
			Set wallpaper			change and set the wallpaper	
			Set 'no input' wallpater			change and set the no input wallpaper	
			Set source label			Label various sources for easier recognition	
		Device	Device name			show or change the device name	
			Device model			shows the device model	
			System information	Firmware version		shows all system information	
			Database Copy	Export to USB			Export the screen configuration to a USB drive
				Import from USB			Import the screen configuration from a USB drive
			System Updates	Local update			Updates the systems firmware using a USB drive
				Online update			Checks for updates online
		Reset				Restore factory settings. NOTE! This will erase all custom settings, data and custom apps from your system	

OPERATING THE SCREEN

3.5 UPDATING THE SCREEN

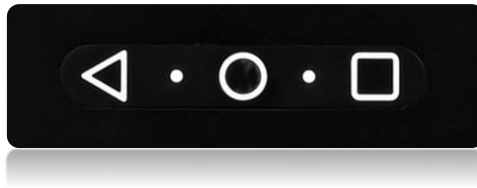
Before first using the screen, please update it to the latest firmware version. Evolve ETX 40 touch monitors can be updated in 2 ways, Over-the-Air (Internet connection required) or using a USB-drive.

To update to the latest firmware version using OTA, open the Quick Launch menu by tapping the center button “O” on the touch monitor. From this menu, click on the setting option to open the main settings-menu and navigate to Device -> System Updates -> Online Update. You will be prompted with a download option if an update is available.

NOTE: please verify that the correct server URL is entered: <http://68.66.241.101:8080/ota/upgrade>

To update to the latest firmware version using a USB Drive, open the Quick Launch menu by tapping the center button “O” on the touch monitor. From this menu, click on the setting option to open the main settings-menu and navigate to Device -> System Updates -> local Update (USB).

3.6 OPERATING THE SCREEN BUTTONS



The screen features three buttons integrated in the screen’s frame these buttons resemble the main button you will find in any relatable Android device and will behave as such.

1. Back Button:

- **Short Press:** Will simple go back to the previous menu/ option.

2. Home Button:

- **Short Press:** Will take you to the home screen.

3. Square Button:

- **Short Press:** Will open the recently used Apps.



OPERATING THE SCREEN

4. TROUBLESHOOTING

FOR FREQUENTLY ASKED QUESTIONS, PLEASE VISIT: WWW.FAQ.LEGAMASTER.COM